

***RX7620/RX7620C***

***KIOTI UTILITY TRACTOR***



  
***KIOTI***<sup>®</sup>  
*run ahead of the pack*

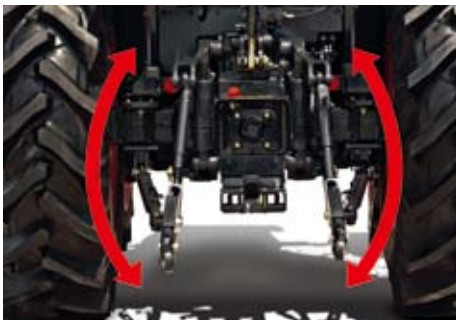
# Experience the new **RX** and powerful

## Modern and elegant “Kioti” design

The modern and elegant “Kioti” bonnet design enables quick and convenient access for daily maintenance.



## **POWERFUL CRDI ENGINE**



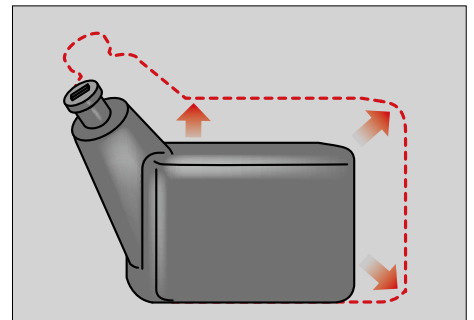
### **External Hydraulic Cylinder**

RX tractor has two external hydraulic cylinders which improves lift capacity with easy and convenient maintenance.



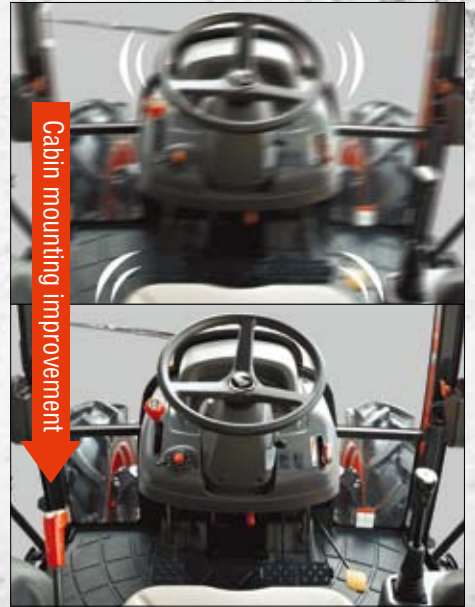
### **Hydraulic 4WD**

The 4WD is engaged with just simple push of switch.



### **Fuel Tank(95ℓ)**

The increased 95 liter fuel tank allows productive working hours without the need for the frequent re-fueling.



### **Low Noise, Low Vibration**

Experience the RX with its new anti-vibration technology. Dramatically reduced vibration and operator in best working condition for all day long.

# ***RX7620ROPS RX7620 CAB POWER SHUTTLE***



### **24x24 fully synchronized transmission**

The fully synchronized transmission provides smooth and easy shifting on the move. The 24 forward and 24 reverse transmission provides the operator with more variety of speed range to handle all kinds of jobs.



### **Auto&Hydraulic PTO**

The standard rear PTO is easily engaged by the simple push of a button. Auto PTO switch provides selection of manual and automatic PTO engagement. When the Auto PTO is engaged, the PTO will automatically stop when the implement is raised, eliminating exposure to the running implements. A safety interlock prevents the engine from starting when the PTO switch is left on.



### **High Projection Head and Working Lamp**

With the new projection head and working lamp, the operator will experience safer and easier operation in the dark operating conditions.



**Power Shuttle Lever**

The Power Shuttle Lever provides easy forward and reverse operation without using the clutch pedal.



**Remote hydraulic and Joystick valve**

Standard rear mounted Add-On type dual remote hydraulic valves(2nd,3rd optional) accommodate a wide variety of attachments and implements. The Mid mounted hydraulics and a single lever joystick for loader operations are standard on the RX series.



**Deluxe Suspension Seat**

Ergonomically designed-fully adjustable suspension seat with fabric seat allow the operator to ride in comfort no matter what the jobs may be. The seat back incorporates a built in pocket for storing of the operators manual.

**Wider and Clearer view**

The new comfortable cabin with upgraded interior will minimize operators fatigue even after long days of work. The front glass with improved wiper position and cabin sealing method provides better visibility and improved noise protection.

**Improved Air Conditioning System**

The improved cooling and Heating system will ensure cooler and warmer working condition for the operator.

**Adjustable Power Steering**

With hydraulic power steering, tractor has a smooth responsive steering that requires minimal operator effort regardless of the task at hand.

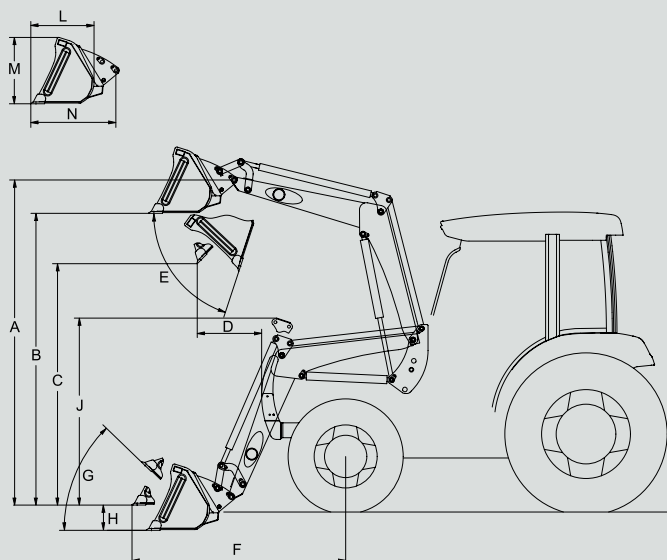


# KIOTI RX7620 RX7620C



## Front End Loader

The KL701 loader is equipped with a universal quick attach mounting system that makes attaching the bucket as simple as pulling an over-center latch. A built in parking stand on the front-end loader provides for quick and easy connection. The KL701 Loader utilizes the tractor's hydraulic system, features single-lever control with float, and comes with a bucket level indicator.



## Loader Specifications

Model	KL701
A. Maximum Lift Height	133.9"
B. Clearance w/ Attachment Level	123.0"
C. Clearance w/ Attachment Dumped	102.3"
D. Reach at Maximum Height 45°	20.4"
E. Maximum Dump Angle	47°
F. Reach w/ Attachment on Ground	80.4"
G. Maximum Rollback Angle	54°
H. Digging Depth Below Grade	6.5"
J. Overall Height in Carry Position	69.3"
L. Depth of Attachment (to back of inner shell)	23.3"
M. Height of Attachment	22.9"
N. Depth of Attachment (to pivot pin)	33.0"
S. Lift Capacity to Full Height at Pivot Pins	3,384 lbs
T. Breakout Force at Pivot Pin	5,359 lbs
Lift Cylinders	2.8" X 23.2"
Bucket Cylinder	2.8" X 15.9"
Bucket Width	82"
Bucket Weight	428 lbs
Approx. Weight (Without Bucket)	1,468 lbs
Bucket Capacity	21.2 ft <sup>3</sup> (13.2 ft <sup>3</sup> )

\*Specifications and design are subject to change without notification.

# Specifications



ISO 9001  
NO.954596



ISO 14001  
NO.771475



OHSAS 18001  
NO:K033008

MODEL		RX7620R P/S	RX7620C P/S
<b>ENGINE</b>			
Manufacturer		Daedong	Daedong
Model		4F243T-TP2	4F243T-TP2
Engine Power	HP(kw)	76(56.7)	76(56.7)
Rated revolution	rpm	2600	2600
Type		4cyl. Water cooled CRDI turbo charger engine	
No.of cylinders		4	4
Total displacement	cc(cu in.)	2,435(148.6)	2,435(148.6)
Fuel tank	ℓ	85(22.45)	95(25.1)
<b>DRIVE TRAIN</b>			
Transmission		Power Shuttle Transmission	Power Shuttle Transmission
Main gear shift x range gear shift		4 X 6	4 X 6
No. of speeds		24 X 24	24 X 24
shuttle Type		Power Shuttle	Power Shuttle
Steering		Hydrostatic Power Steering	Hydrostatic Power Steering
Main Brake type		Wet Multi Disc	Wet Multi Disc
Main Clutch type		Hydro Multi Wet Disc Clutch	Hydro Multi Wet Disc Clutch
Mechanical differential lock		Rear Standard	Rear Standard
<b>TRAVELING SPEEDS</b>			
Forward	km/h(mph)	0.17~37.86(0.11~23.53)	0.17~37.86(0.11~23.53)
Reverse	km/h(mph)	0.17~37.23(0.11~23.13)	0.17~37.23(0.11~23.13)
<b>TIRE SIZE</b>			
AG. Tire			
Front		11.2-24	11.2-24
Rear		16.9-30	16.9-30
<b>HYDRAULIC SYSTEM</b>			
3 Point Lift Control Type		Position, Draft, Mixed Control	Position, Draft, Mixed Control
Total hydraulic flow	lpm(cc/rev)	72.8(28)	72.8(28)
Implement Pump	lpm(cc/rev)	41.6(16)	41.6(16)
Power steering pump	lpm(cc/rev)	31.2(12)	31.2(12)
3-point hitch type		Category II	Category II
Lift Capacity @lift point	kg.f(lbs)	2256(4974)	2256(4974)
No.of standard remote valves (Rear)		2	2
<b>PTO</b>			
Rear PTO Shaft		SAE 1-3/8, 6 Spline	SAE 1-3/8, 6 Spline
Type		Independent	Independent
Rated PTO rpm	rpm	540 / 540E	540 / 540E
<b>DIMENSIONS</b>			
Overall length (w/o front weight and w/3pt hitch)	mm	3715	3715
Overall width (minimum tread)	mm	1960	1960
Overall height	mm	2730	2655
Wheel base	mm	2130	2130
Ground(Crop) clearance	mm	440	440
Weight with ROPS	kg.f	2540	NA
Weight with Cabin	kg.f	NA	2795

\*NOTE : Specifications and design are subject to change without notice

## Standard Equipment

- Joystic valve
- Auto PTO
- Parking brake
- 7pin socket
- Remote valve(2set)
- Sunvisor(Cab only)
- CD player(Cab only)
- Heater/Air condioner
- Drawbar
- ROPS
- Tilt steering wheel
- Auto 4WD
- Rear view mirror
- Power socket

## Optional Equipment

- Front weights
- Sun canopy



**Kioti Tractor /**  
**Daedong Industrial. Co., Ltd**  
 1422-5, Seocho-Dong, Seocho-Ku, Seoul, Korea  
 Tel 82-2-3470-7454~9 • Fax 82-2-3470-7485  
 www.daedong.co.kr

Dealer Imprint Area